

X-Cover

User Manual

■ INSTRUCTIONS / MOUNTING BRACKET INSTALLATION / OPENING THE X-COVER /
ATTACHING THE LADDER / INSTALLING THE LADDER / CLOSING THE X-COVER
SAFETY / WARRANTY

Instructions

Mounting the X-Cover on your vehicle

WARNING!

- If you have any back, knee or any other health complications, do NOT attempt to mount the X-Cover on your vehicle.
- Your vehicle MUST have a roof rack or cross bars installed in order to mount the X-Cover.
- The cross bars MUST have a dynamic weight load of at least 130lbs (60kgs) and MUST be at least 30" (76cm) apart.
- If you mount equipment on top of the X-Cover, your vehicle's cross bars MUST have a dynamic weight load that supports the weight of the X-Cover + the equipment on top.
- The X-Cover's cross bar weight limit is 65lbs (30kg).
- If you are unsure of the mounting process or have any questions, contact iKamper at support@ikamper.com.

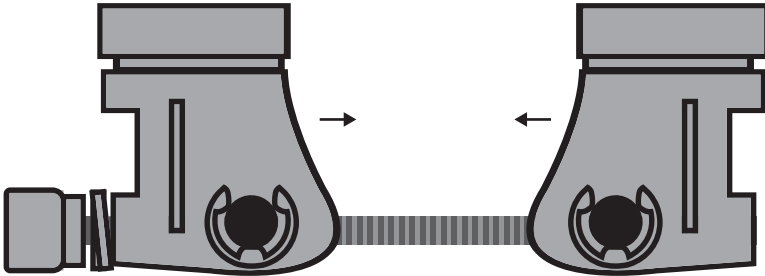
It is easiest to mount the X-Cover from the side of your vehicle, rather than the front or back.

1. Have one person stand at the front of the X-Cover, and one person at the back.
2. Grab the panel on the bottom of the X-cover and lift up to your waist.
3. Lift the X-Cover up to your shoulders, and then above your head.
4. Gently slide the X-cover onto your cross bars.
5. Make sure the X-Cover is centered.

**For further instruction and explanation videos, please visit
www.ikamper.com/instructions**

Mounting Bracket Installation

IMPORTANT: WHEN MOUNTING THE X-COVER ON YOUR VEHICLE, MAKE SURE THAT EACH BRACKET IS SECURELY FASTENED. FAILURE TO DO SO COULD CAUSE DAMAGE, INJURY OR EVEN DEATH.

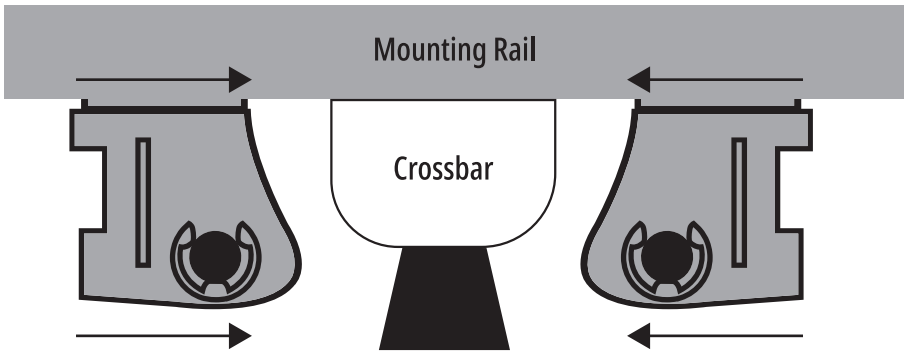


Included

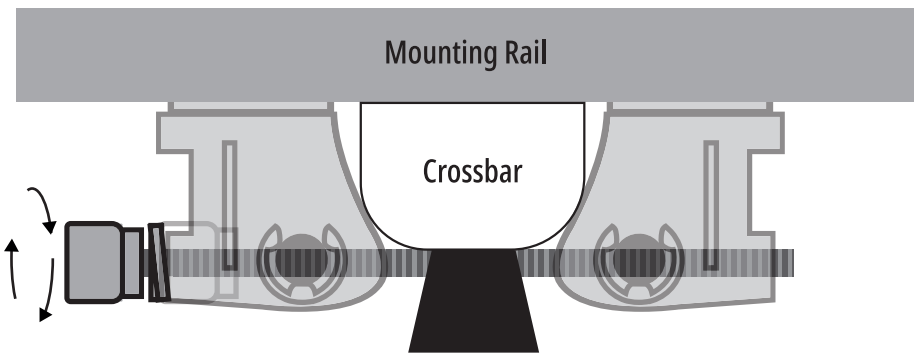
- 8 x Mounting bracket pieces
- 4 x Bolts
- 4 x Washers

NOTE: PLEASE ENSURE THAT THE BRACKET PIECES FACE EACH OTHER AS SHOWN THE IMAGE ABOVE.

1. Slide the first bracket piece inside the rail. Ensure the angled side of the bracket is facing the crossbar.
2. Slide the second piece with the angle facing towards the crossbar. Doing so ensures the bracket grips the crossbar in a "V" formation.

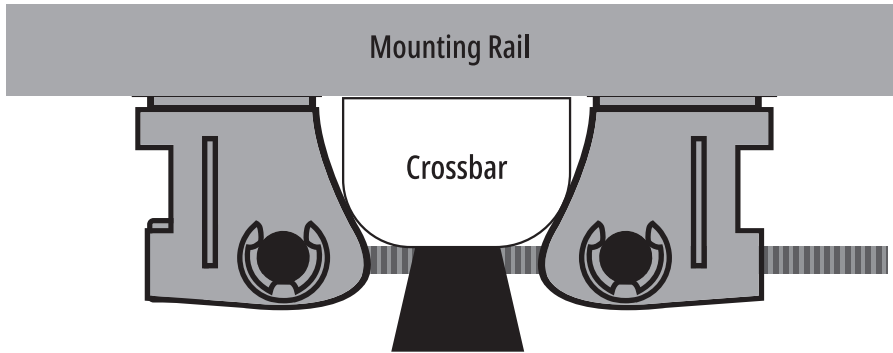


3. Insert the bolt between the brackets and tighten with your hand.
4. Use an Allen wrench to securely fasten the bolt.

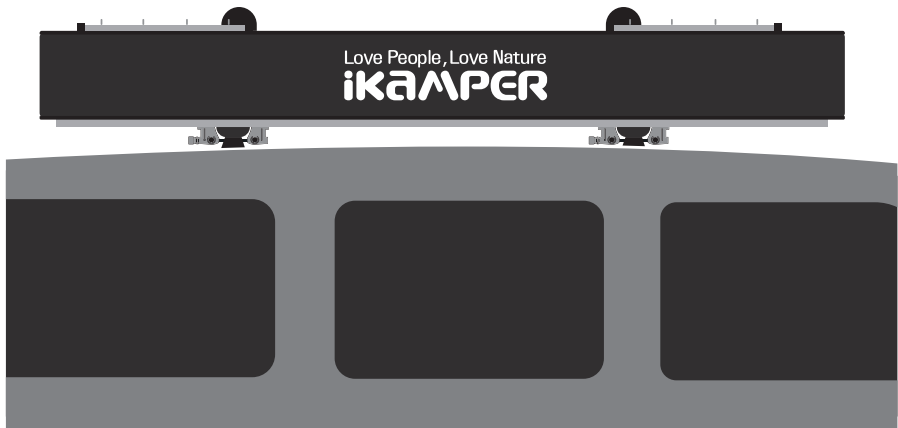


5. Repeat the process with the other 3 brackets.

Completed Assembly



PLEASE NOTE : Check that the X-Cover is securely attached after travelling a short distance, and thereafter at regular intervals. Tighten the mounting brackets whenever necessary.



Opening the X-Cover

1. Unhook the bungee cords and flip back the velcro cover.



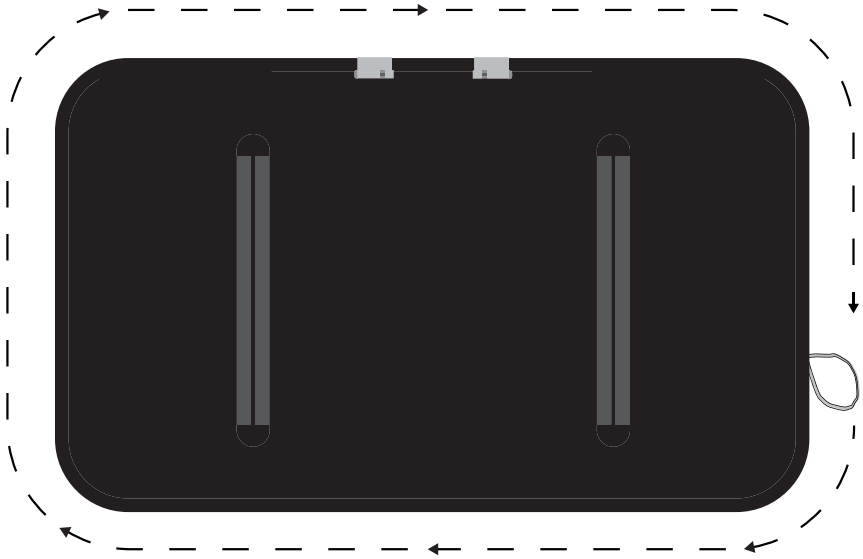
2. Pull back the second velcro flap.



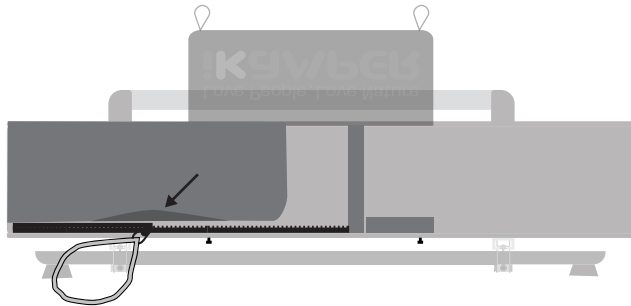
3. Unzip using the rope.



4. Unzip the entire perimeter of the tent.



Note: When unzipping the X-Cover be sure to slightly lift the fabric with your other hand. Fabric tension is highest on the corners so take care at these points.



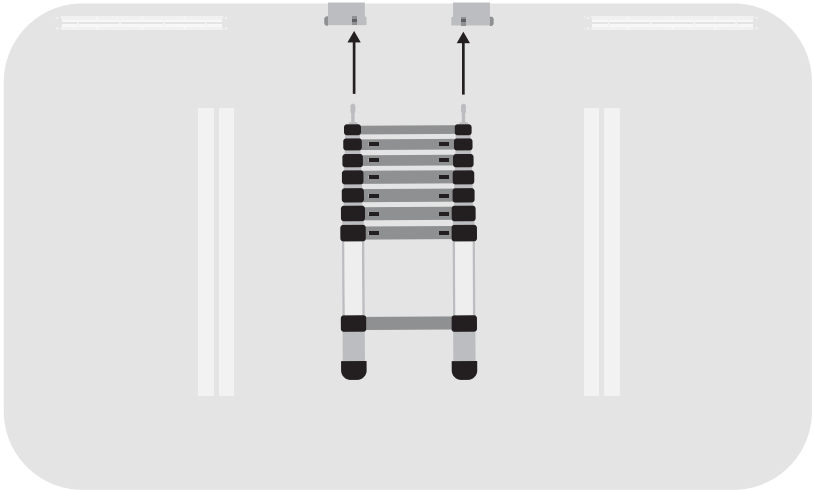
5. Lift up the tent material entirely and unclip the buckle.



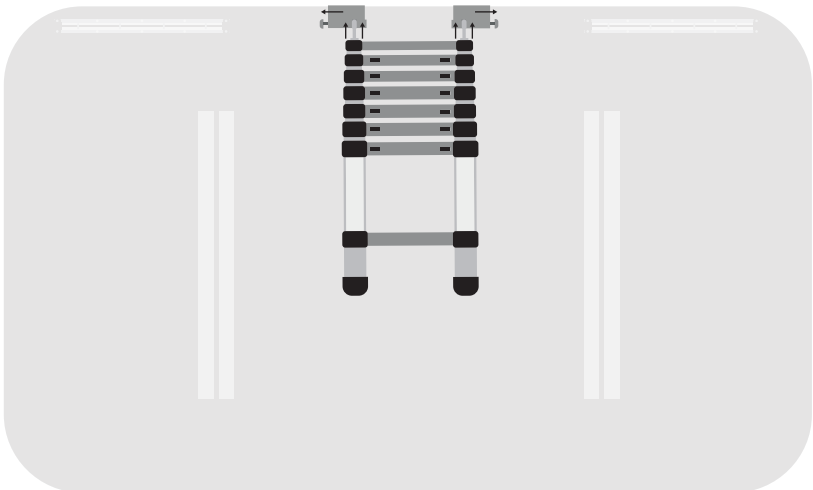
Attaching the Ladder

NOTE : Before attaching the ladder remove any additional racks and/or cargo.

6. Lay the ladder flat on the top of the X-Cover.



7. Insert the ladder by pulling the springed bolts.

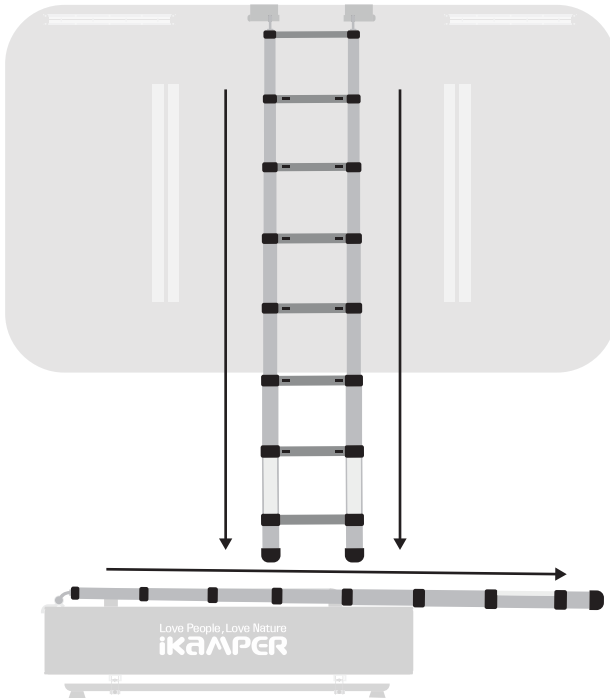


8. Lift the tent material up entirely on the other side.

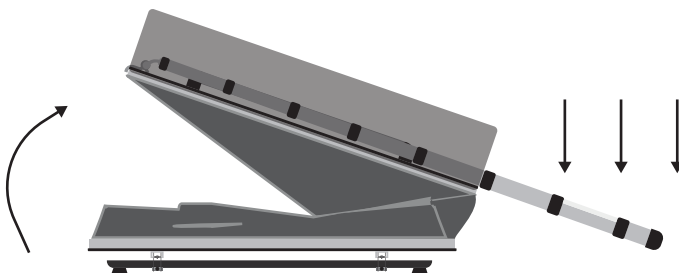
IMPORTANT : Failure to do so could cause the material to become trapped between the panels



9. Fully extend the ladder.



10. Pull down the legs of the ladder to lever the tent.

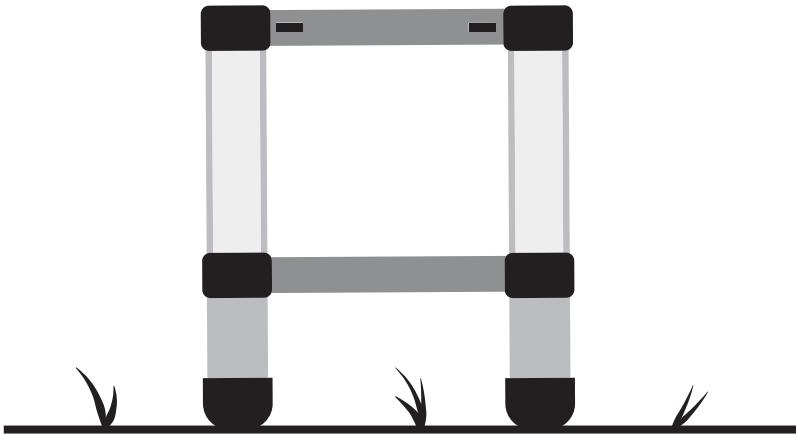


INSTALLING THE LADDER

CAUTION: FAILURE TO PROPERLY SECURE THE LADDER COULD RESULT IN DAMAGE TO YOUR TENT OR SERIOUS INJURY. CAREFULLY READ THE INSTRUCTIONS BELOW BEFORE ATTEMPTING TO USE THE LADDER.

The ladder acts as the support for the X-Cover's extension panel. Always make sure the ladder is firmly planted in the ground, and each step is securely locked before going up the ladder.

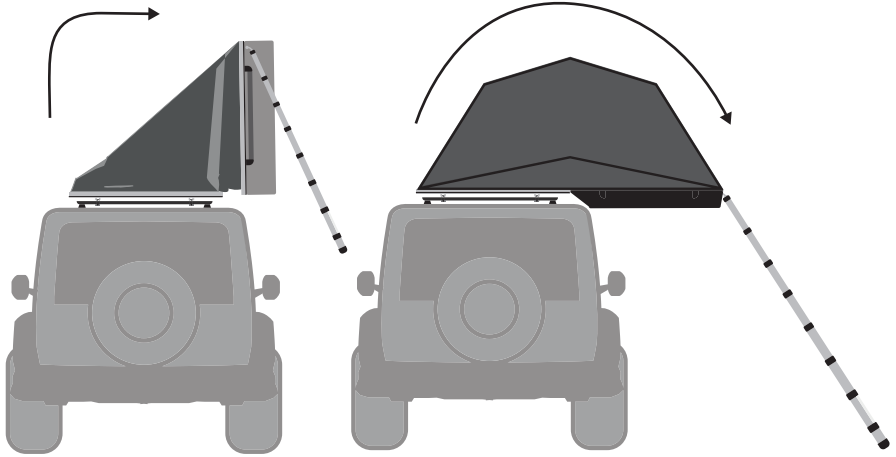
- Make sure the base of the ladder is placed on even, solid ground:



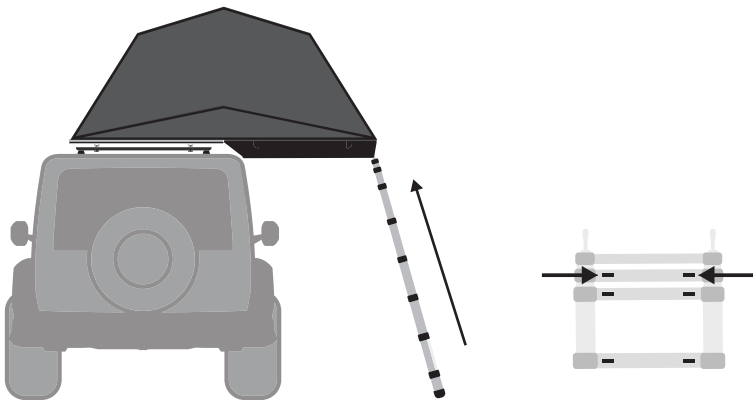
If the terrain does not allow the ladder to have a stable, even base, move your vehicle to another spot. Do NOT install the ladder on uneven ground, or on rocks, sand, or soft mud.

11. Lower the ladder until the tent is at 180 degrees.

IMPORTANT : Ensure the cover material does not become trapped between the panels when the tent is deployed.

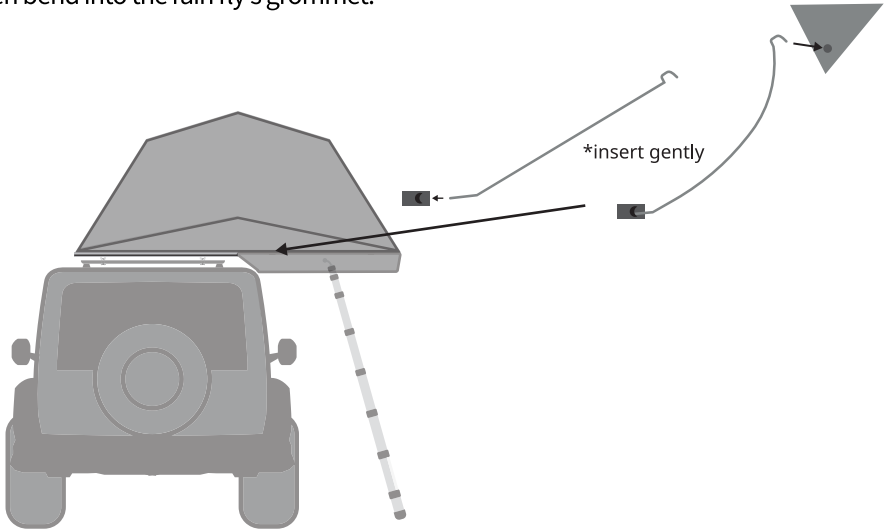


12. Adjust the ladder until the angle is similar to the image shown below. Ensure each step is securely locked before ascending.

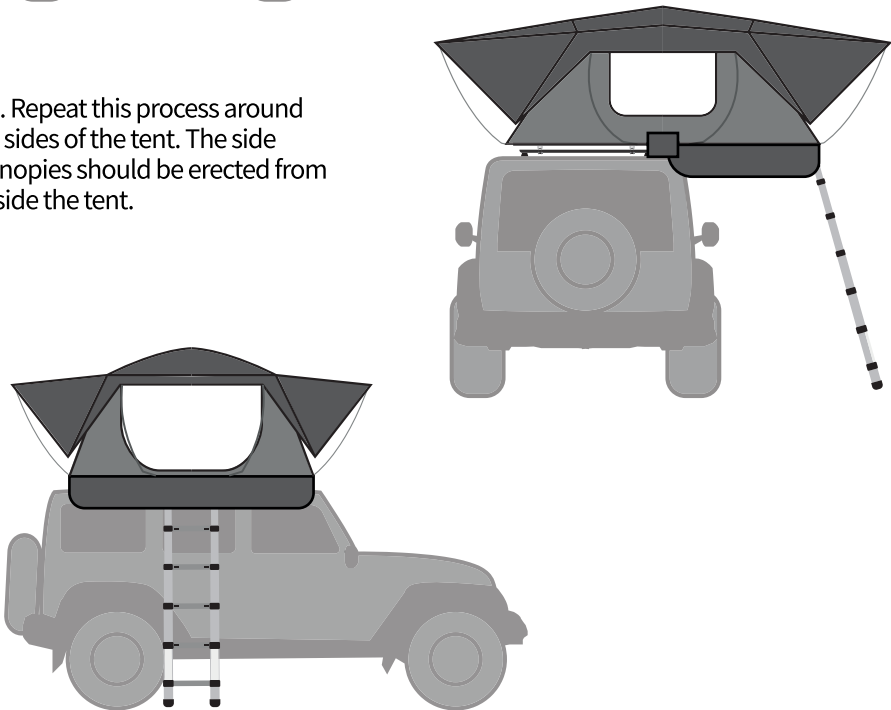


*Slide the mechanism to release the ladder locks

13. Insert the tensions poles first into the panel, then bend into the rain fly's grommet.

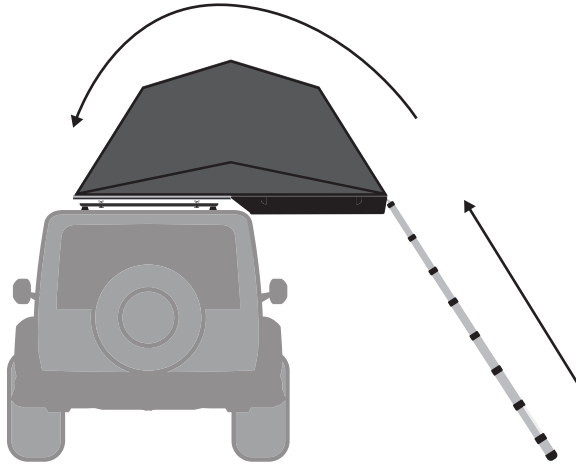


14. Repeat this process around all sides of the tent. The side canopies should be erected from inside the tent.

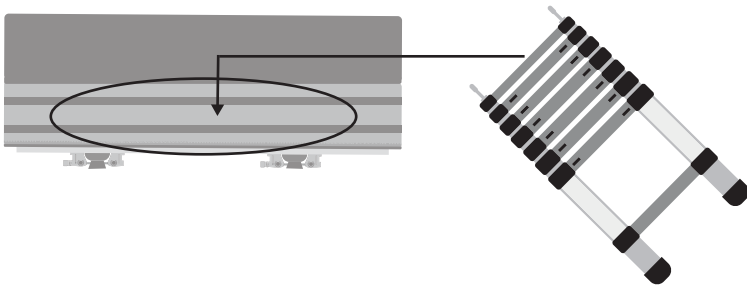


CLOSING THE X-COVER

Repeat each stage in reverse steps 14 through 1, and note the important steps below;
When closing the X-Cover ensure the ladder is fully extended as seen below.



After removing the ladder please store it between the floor panels.
DO NOT leave the ladder on top of the tent during transit.



SAFETY

KEEP ALL FLAME AND HEAT SOURCES AWAY FROM THIS TENT FABRIC

This tent is not fireproof. The fabric will burn if left in continuous contact with a flame source.

- Do NOT use matches, candles, or open flames of any kind in or near the tent,
- Do NOT cook inside the tent.
- Do NOT place your campfire near your tent. Build your campfire downwind and several meters away from your vehicle, and fully extinguish the fire before entering the tent for the night or leaving the campsite.
- Do NOT smoke inside the tent.
- Do NOT use fuel-powered heaters, stoves, or lanterns inside the tent.
- Do NOT refuel heaters, stoves or lamps inside the tent.
- Do NOT store flammable liquids inside the tent. Not following these warnings may result in serious bodily injury and/or death. Take safety precautions at all times and maintain adequate ventilation in your tent.

Users assume all risks and responsibilities.

- Always ensure your X-Cover is entirely zipped closed with its buckle clipped before driving.
- Fasten your tent securely to your cross bars and check mounting stability DAILY.
- Speed limit: the recommended speed limit when having the X-Cover on your vehicle is 70mph (110km/h). Driving speed should always be adjusted according to the current driving conditions, such as road type and quality, weather, and applicable speed limits.

- Do NOT mount a roof top tent on compact cars or small vehicles of any kind,
- Do NOT camp on a hilly or uneven surface.
- Do NOT leave your tent erected in winds higher than 20mph (32km/h).

WARRANTY

We're proud of our products, and as such we offer a warranty. If you ever experience an issue with one of our products, please visit our [Contact Page](#) and fill out the After-Service Care form. We'll do our best to solve the problem as soon as possible.

IKAMPER ROOF TOP TENT WARRANTY

• 2 Year Warranty

For 2 years from the date of purchase, iKamper will repair or replace (at our option) defective parts at no cost to the customer.

• Extended 3 Year Warranty

For 5 years from the date of purchase, iKamper will repair or replace (at our option) defective parts at a minimum cost (production cost). Shipping is covered by the customer.

Our warranty does not cover all issues, such as the ones below:

- UV damage: ultra-violet damage to fabric.
- Normal wear and tear, cosmetic blemishes occurring as a result of use (vinyl window discoloration, scratches/dents on the roof top tent top, etc).
- Damage caused by the customer (misuse, accident, abuse, storm damage, etc.)
- Aesthetic changes that do not affect the general operation of the roof top tent.

ROOF TOP TENT ACCESSORIES WARRANTY

• 1 Year Warranty

For 1 year from the date of purchase, iKamper will repair or replace (at our option) defective parts at no cost to the customer.

Our warranty does not cover all issues, such as the ones below:

- Ultra-violet (UV) damage to fabric or paint.
- Normal wear and tear, or cosmetic blemishes occurring as a result of use
- Damage caused by the customer (misuse, accident, abuse, storm damage, etc.)
- Aesthetic changes that do not affect the general operation of the product

This warranty does not include charges for shipping and taxes.

This warranty applies only to customers who purchased directly from iKamper or an authorized dealer and does not cover second-hand purchases.



www.ikamper.com